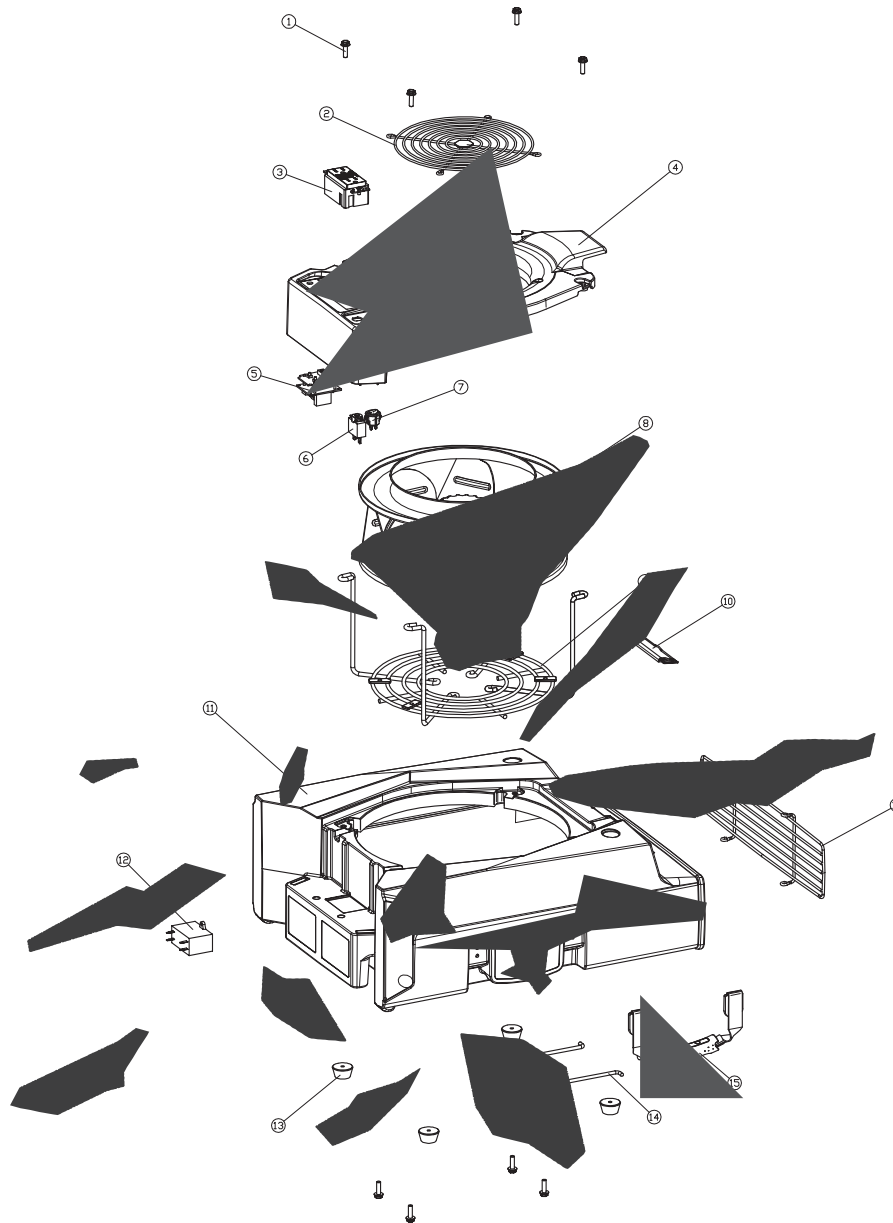


**For the version without covering,
please contact us**



SPARE PARTS LIST

Uni-P Vantix 950



No.	Material	Name	Quantity	No.	Name	Material	Quantity
1	galvanized fixed nut	M6*20	8	9	motor bracket	component	1
2	air inlet protect bracket	φ 3 steel wire	1	10	card holder	component	1
3	terrace socket	115V 60Hz 10A	1	11	main board	LLDPE	1
4	control panel	ABS	1	12	capacitor	8UF 250V	1
5	PCB	component	1	13	foot pad	rubber	4
6	overcurrent protector	115V 60Hz 12A	1	14	foot stool	φ 5 steel wire	1
7	power switch	115V 60Hz 16A	1	15	handle	component	1
8	centrifugal motor	component	1	16	air-out protect bracket	φ 3 steel wire	1